

MAAX SUBMITTAL SPECIFICATIONS

Exhibit 6032

MODEL NUMBER 105513

DIMENSIONS: 60" x 32" x 20" Acrylic



Vivez l'expérience
MAAX[®]
Enjoy the experience

STANDARD FEATURES

- Rectangular shape bathtub
- Drop-in installation
- Textured floor
- End drain
- Skirt with magnetic access panel available


OPTIONS


- One chromotherapy light
- Water heater assembly (factory installed)
- Metal trim kit for Whirlpool
- Air push cover
- Cable-operated waste and overflow extendable
- Foam pillow with 2 suction pads


UNIQUE FEATURES

- Tiling Flange

SYSTEMS

 MAAX Professional Whirlpool

 Aeroeffect **DOOR**

 Combined Whirlpool/Aeroeffect

 Chromotherapy **SELECTION**

Combine with MAAX's complete shower door offering visit www.maax.com

CERTIFICATIONS

Maax products adhere to one or more of the following certifications:



Project :

Contractor :

MAAX Representative : Tel :

Date :

www.maax.com

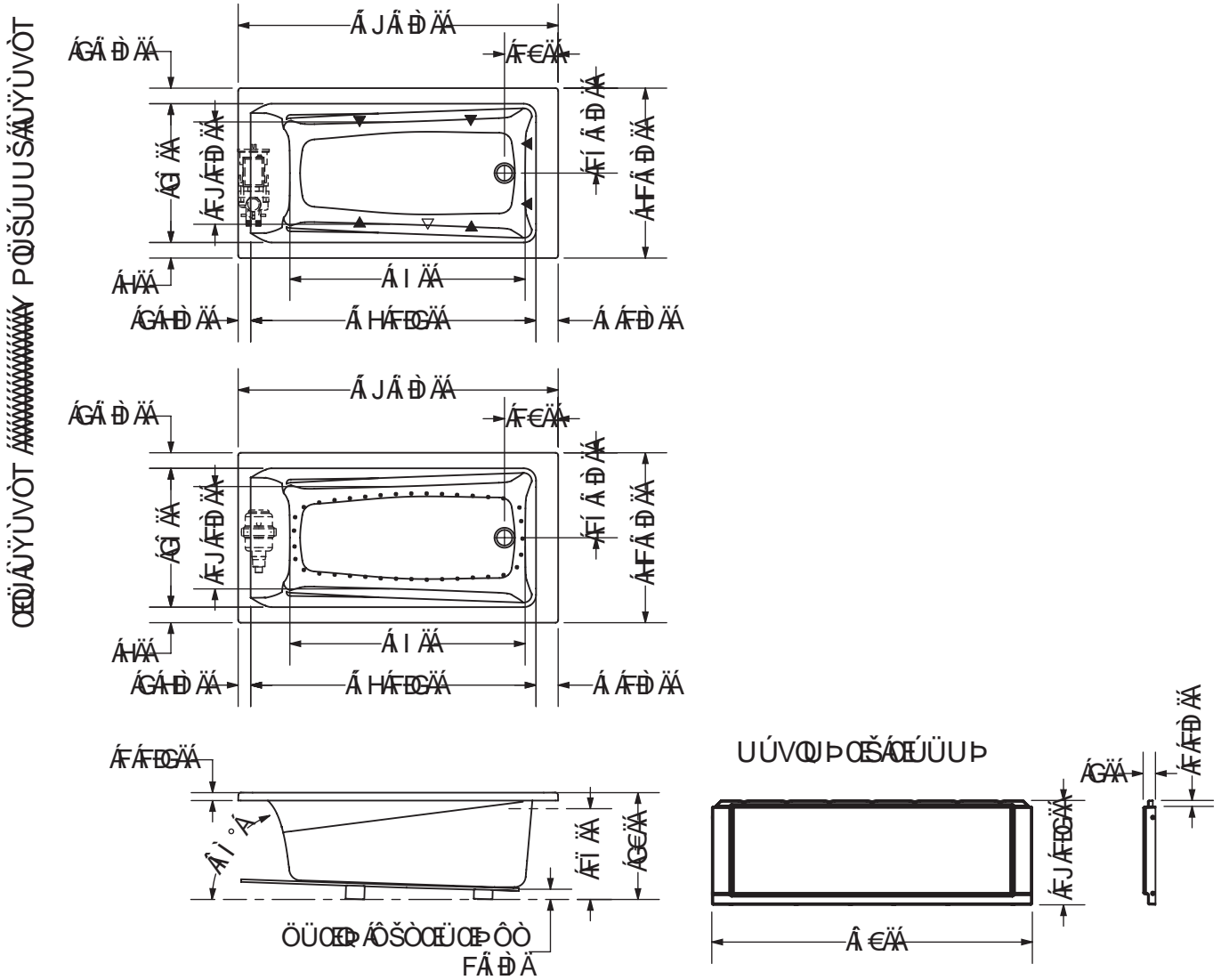
2015-07-29

MAAX SUBMITTAL SPECIFICATIONS

Exhibit 6032

MODEL NUMBER 105513

TECHNICAL DRAWINGS



Qáæ•Á @|||/Á•Á[•ää]á*
 Qáæ•Á•&ç}Á[•ää]á*
 Qáæ•Á•Á[•ää]á*
 Qáæ•Á•Á[•ää]á*
 Qáæ•Á•Á[•ää]á*
 Qáæ•Á•Á[•ää]á*
 Qáæ•Á•Á[•ää]á*