

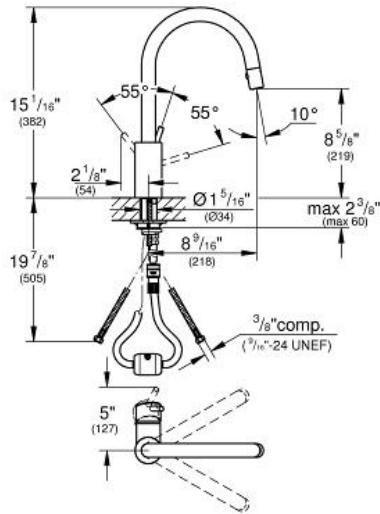
Single-lever sink mixer 1/2"

MODEL # 32665

Pure Freude an Wasser



GROHE America, Inc | 200 North Gary Avenue, Suite G, Roselle, IL 60172
 Phone: +1 (800) 444-7643 | Fax: +1 (800) 225-2778 | us-customerservice@grohe.com



Product Description:
 Single-lever sink mixer 1/2"

Standard Specification:

- High spout
- Single hole installation
- **GROHE StarLight®** finish
- **GROHE SilkMove** 35 mm ceramic cartridge
- Swivel Spout
- Integrated non-return valve
- **Protected against backflow**
- Stainless Steel Braided Flexible Supplies
- Quick installation system
- Max Flow Rate: 1.75 gpm (6.6 L/min)

Applicable Codes & Standards:

- Energy Policy Act of 1992
- NSF 61
- ASME A112.18.1/CSA B125.1
- US Federal and State material regulations
- ICC/ANSI A117.1
- CalGreen

Color:

- 32665 001 chrome
- 32665 DC1 supersteel

